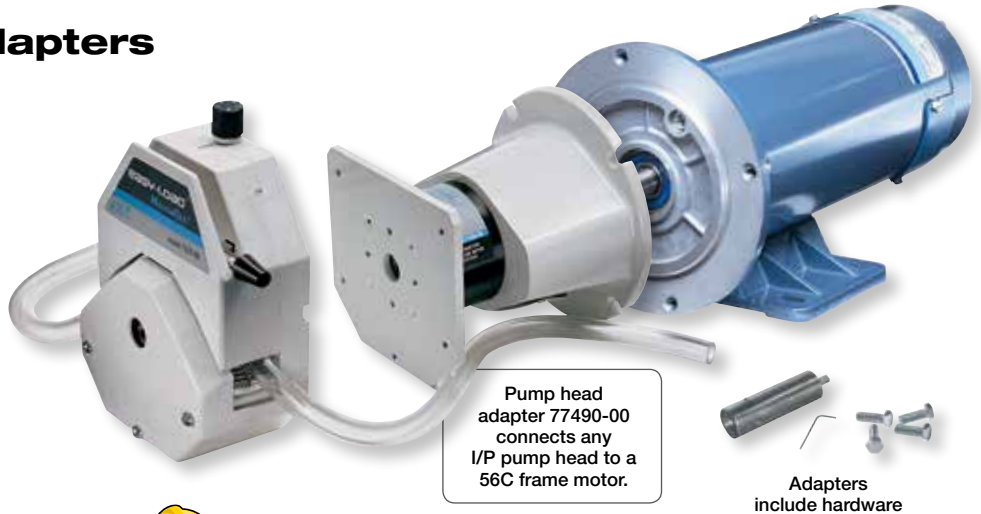


## I/P® Pump Head Adapters

Easily convert any 56C frame motor to a peristaltic pump

- Cast aluminum adapters allow you to mount any I/P pump head to your 56C frame motor
- Easy setup with built-in gear box
- Pump up to 26 LPM
- Convert to variable speed by adding a motor controller
- Compatible with all I/P pump heads



### Teky's Tips



#### Calculate Flow Rate

Use the following formula to calculate flow rate based on your motor's max rpm and gear ratio to keep pump head rpm from exceeding 650 rpm:

$$\text{Flow rate} = (\text{Motor rpm} / \text{adapter gear ratio}) \times \text{flow per revolution}$$

#### Wait! Don't Forget...

I/P pump heads on pages 724-726 and I/P tubing on pages 727-732.

### Flow Rates in LPM (GPM) per Channel

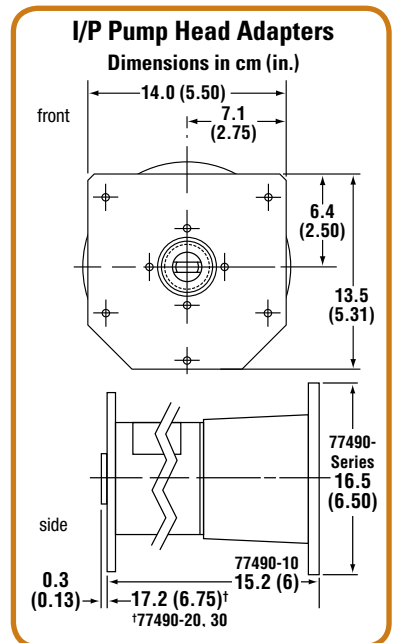
Adapter gear ratio	Recommended max motor rpm	Pump head rpm	Precision pump tubing			High-performance precision pump tubing		
			I/P 26	I/P 73	I/P 82	I/P 70	I/P 88	I/P 89
		1	0.006 (0.002)	0.012 (0.003)	0.02 (0.005)	0.012 (0.003)	0.026 (0.007)	0.029 (0.008)
3.1:1	62 to 2015	20 to 650	0.12 to 4 (0.04 to 1.3)	0.24 to 8 (0.06 to 2.0)	0.4 to 13 (0.1 to 3.3)	0.24 to 8 (0.06 to 2.0)	0.52 to 17.0 (0.14 to 4.5)	0.58 to 19.0 (0.16 to 5.0)
4.8:1	96 to 3120	20 to 650	0.12 to 4 (0.04 to 1.3)	0.24 to 8 (0.06 to 2.0)	0.4 to 13 (0.1 to 3.3)	0.24 to 8 (0.06 to 2.0)	0.52 to 17.0 (0.14 to 4.5)	0.58 to 19.0 (0.16 to 5.0)
9.7:1	194 to 3450	20 to 356	0.12 to 2.2 (0.04 to 0.7)	0.24 to 4.4 (0.06 to 1.1)	0.4 to 7.0 (0.1 to 1.8)	0.24 to 4.4 (0.06 to 1.1)	0.52 to 9.3 (0.14 to 2.5)	0.58 to 10.3 (0.16 to 2.8)
17.8:1	365 to 3450	20 to 194	0.12 to 1.2 (0.04 to 0.4)	0.24 to 2.4 (0.06 to 0.6)	0.4 to 4.0 (0.1 to 1.0)	0.24 to 2.4 (0.06 to 0.6)	0.52 to 5.0 (0.14 to 1.4)	0.58 to 5.6 (0.16 to 1.6)

### NEMA Type 56C Adapters



Adapter gear ratio	Motor size required†	Mounting type	Dimensions (L x W x H)	Catalog number	Price
3.1:1	1/10 hp to 1/2 hp, 650 rpm max pump head speed	Direct-coupled	6 3/4" x 5 1/2" x 6 1/2" (17.2 x 14 x 16.5 cm)	GY-77490-00	
4.8:1				GY-77490-10	
9.7:1				GY-77490-20	
17.8:1				GY-77490-30	

†Check power requirement for your application prior to selecting a motor.



### 56C Frame Motors

hp	rpm	Type†	Voltage	Frequency	Phase	Wattage	Motor length	Catalog number	Price
<b>DC Motors</b>									
1/2	1750	TEFC	90 VDC	—	—	450	12" (30.48 cm)	GY-70071-20	
			180 VDC					GY-70071-30	
1/2	1750	WDN	90 VDC	—	—	423	14 1/2" (36.83 cm)	GY-70074-10	
<b>AC Motors</b>									
1/2	1800	TEFC	115/208-230 VAC	50/60 Hz	1	1012	11 1/16" (28.42 cm)	GY-71004-25	
		XPRF	115/208-230 VAC		1	966	13 15/16" (35.4 cm)	GY-71006-05	
		WDN	208-230/460 VAC		3	416	10 1/16" (26.49 cm)	GY-71008-25	

†TEFC—Totally enclosed, fan-cooled XPRF—Explosion proof WDN—Washdown